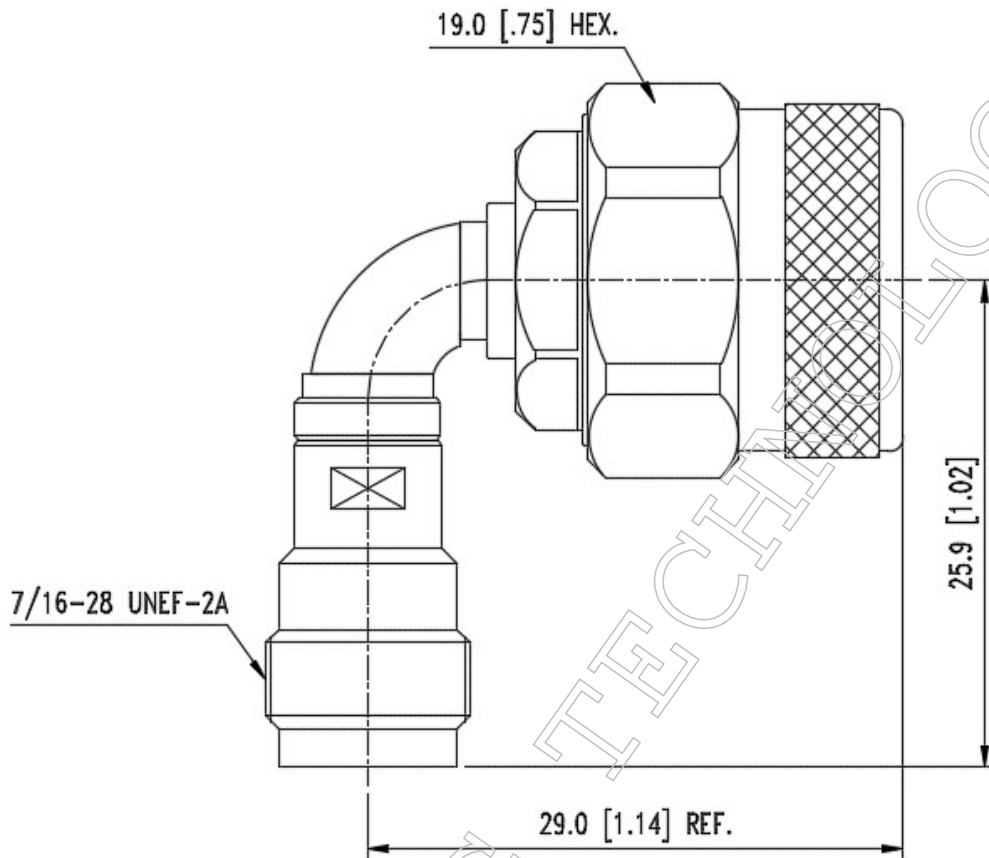


■ **Outline Dimension Drawing**

Dimensions: mm[inch]



■ **Material Specification**

Description	Material	Plating
Body*3	Stainless steel	Passivate
Contact*5	BeCu	Gold
Dielectric*3	PTFE	
R-ring	P.Bronze	Nickel
Coupling nut	Stainless steel	Passivate
O-Ring	S.I.R	

In the effort to improve our products, we reserve the right to make changes judged to be necessary



■ **Electrical Specification**

Description		Description	
Impedance	50 Ω	Insulation Resistance	5000 MΩ Min.
Frequency	18 GHz	Inner Contact Resistance	3 mΩ Max.
VSWR	1.2 Max.	Outer Contact Resistance	3 mΩ Max.
Insertion Loss	0.6 dB Max.		
Voltage Rating	500 Vrms Max.		
Dielectric Withstanding Voltage	1500 Vrms Max.		

■ **Mechanical Specification**

Description		Description	
Center Contact		Recommended Torque	12~15 in. lbs
Axial Force-Mating End	6 lbs.	Coupling Nut Retention	100 lbs Min.
Axial Force-Opposite End	6 lbs.		
Connector Durability	500 cycles		
Weight	N/A g		

■ **Environmental Specification**

Description		Description	
Temperature Min.	-65 °C		
Temperature Max.	165 °C		
Hermetic Seal	N/A		

In the effort to improve our products, we reserve the right to make changes judged to be necessary